

## Beam and Purlin Clamps

### Beam Clamps

- Supports threaded rod, threaded bridle rings and electrical boxes
- Bright zinc plating
- Supports 100 lbs. static load limit

#### Malleable Iron, Electro-Plated Finish

CAT. NO.	FIG. NO.	DESCRIPTION	STATIC LOAD LIMIT (LBS.)	STD. CTN.
BC1-TB	1	Steel beam clamp, ¼"-20 threaded openings, fits flanges up to ⅝" thick	75	50
BC2-TB	1	Steel beam clamp, ⅝"-18 threaded openings, fits flanges up to ¾" thick	320	50
510	2	Malleable iron beam clamp, ¼"-20 threaded openings, fits flanges up to ⅝" thick	250	100
511-SC	2	Malleable iron beam clamp, 10-24 threaded openings, fits flanges up to ⅝" thick	250	100
500-SC	2	Malleable iron beam clamp, ¼"-20 threaded openings, fits flanges up to 1¼" thick	250	50
509	2	Malleable iron beam clamp, 10-24 threaded openings, fits flanges up to 1¼" thick	150	100
501	2	Malleable iron beam clamp, ⅝"-18 threaded openings, fits flanges up to ⅞" thick	500	50
502	2	Malleable iron beam clamp, ⅝"-16 threaded openings, fits flanges up to 1" thick	750	25
503-SC	2	Malleable iron beam clamp, ½"-13 threaded openings, fits flanges up to 1" thick	1,250	20
507	2	Malleable iron beam clamp, ½"-13 threaded openings, fits flanges up to 1⅝" thick	1,250	20
508	2	Malleable iron beam clamp, ½"-13 threaded openings, fits flanges up to 2¼" thick	1,250	10

Safety Factor of 3. Load Ratings based on bottom hole of Beam Clamp. CSA File No. LR-63683.

CAT. NO.	SIZE	TAPPED	DIMENSIONS (IN.)				STD. CTN.
			A	B	C	D	
BC1-TB	1	¼-20	1 11/16	1 3/8	5/8	1 3/16	250
BC2-TB	2 1/4	⅝-16	2 1/2	2 1/8	3/4	1 11/16	25

Material: Steel. Finish: Zinc Plated.

#### Malleable Iron, Silver Electro-Plated Finish

CAT. NO.	BASE SIZE (IN.)		JAW OPENING (IN.)	TAPPING OF BASE AND BACK HOLES	LOAD RATING†	TORQUE IN INCH-LBS.	STD. CTN.
	A	B					
500-SC	1	1 ¼	1 1/16	¼-20	250	60	50
501	1 ½	1 3/8	7/8	⅝-18	500	60	50
502	2	2	1	⅝-16	750	125	25
503-SC	2 5/8	2 ½	1	½-13	1,250	250	20
507	2 ½	2 3/8	1 3/4	½-13	1,250	250	20
508	2 ½	2 3/8	2 1/8	½-13	1,250	250	10
509	1	1 ¼	1 1/16	10-24	150	60	100
510	2 7/32	1 1/8	5/8	¼-20	250	40	100
511-SC	2 7/32	1 1/8	5/8	10-24	150	40	100

†Safety Factor of 3. Load Ratings based on bottom hole of Beam Clamp. CSA File No. LR-63683.

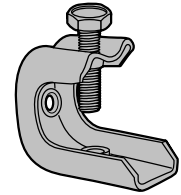
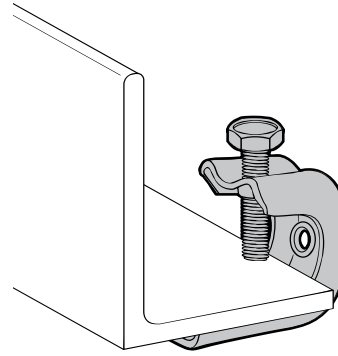


Fig. 1

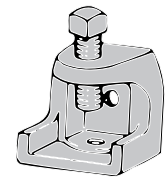
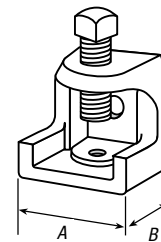
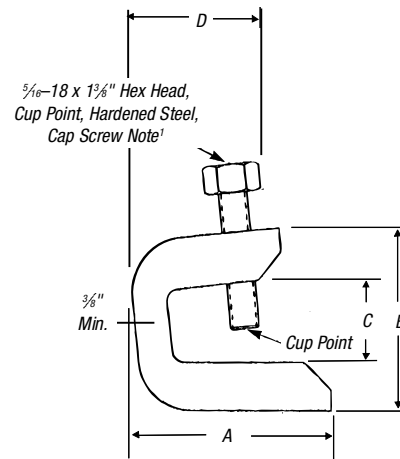


Fig. 2



500SS316, 502SS316 and 503SS316 in 316 Stainless Steel also available.